

3.5 x 6.0mm Tact Switch (Vertical, SMT/TH Type)



TSC/G-05/26/27/28/29/2A/S/T-XXX


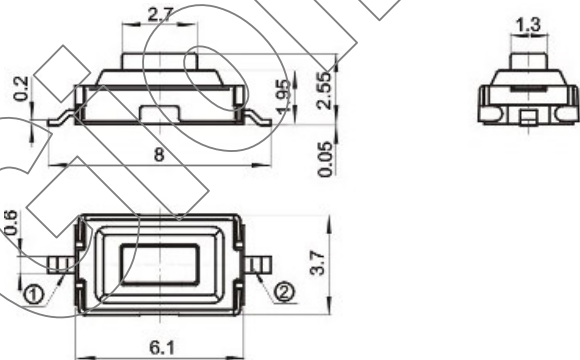
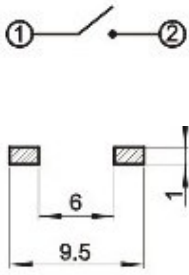
TS - Tact Switch
 C / G – C / G Series
 05 / 26 / 27 / 28 / 29 / 2A - Type
 S / T- SMT Type, T Type
 XXX - Action Force (gram)


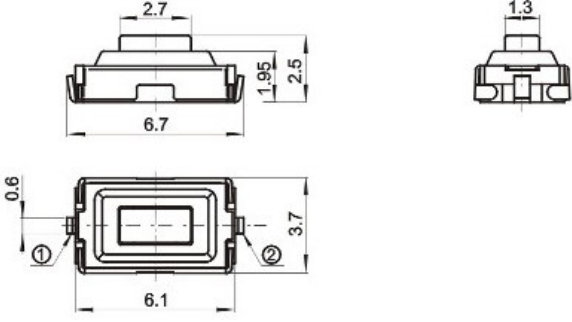
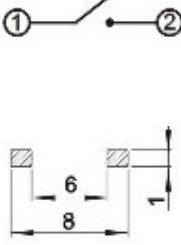
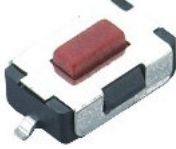
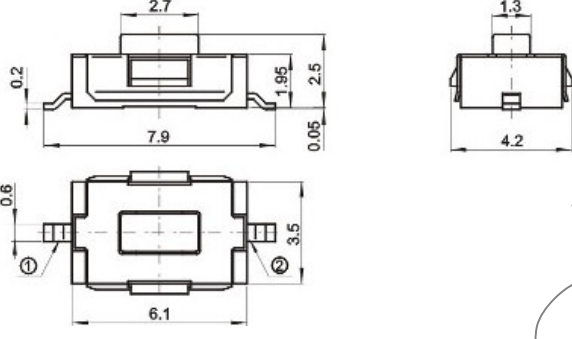
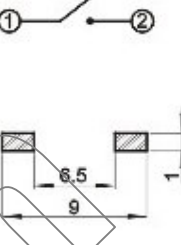

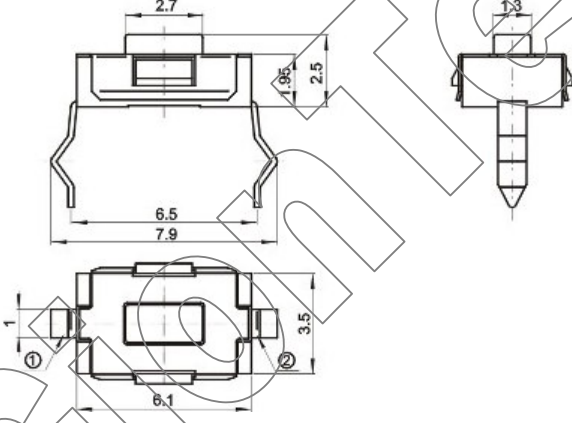
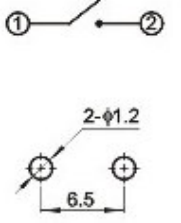

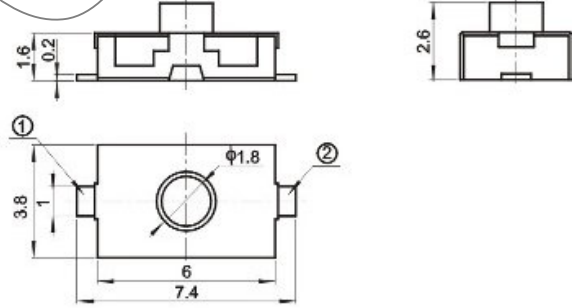
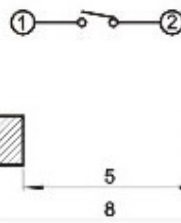
SPECIFICATIONS

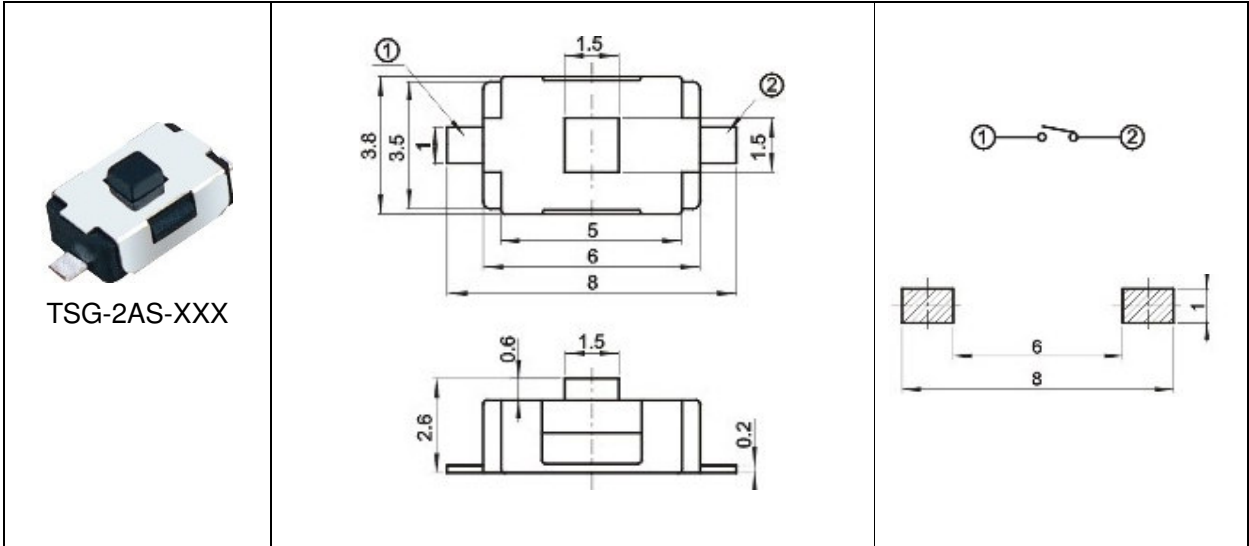
Mechanical Life: 100,000 cycles for 130g±50g, 180g±50g
 50,000 cycles for 250g±50g
 Operating Force: 130g±50g, 180g±50g, 250g±50g
 Travel: 0.25±0.1mm
 Rating: 50mA 12V DC
 Dielectric withstanding: 250V AC/minute
 Insulator resistance: ≥ 100 MΩ at 100V
 Contact resistance: ≤ 100 mΩ/Contact
 Operating temperature: -30°C ~ +85°C
 Storage temperature: -40°C ~ +85°C

Material

Base: PA6T/LCP, UL94V-0
 Contact material: Phosphor Bronze
 Contact Spring Plating: Stainless Steel/Silver Plating

Physical Picture	Outline Drawing	Circuit
 <p>TSC-05S-XXX</p>		

 <p>TSG-26S-XXX</p>		
 <p>TSG-27S-XXX</p>		
 <p>TSG-28T-XXX</p>		
 <p>TSG-29S-XXX</p>		



GionTech